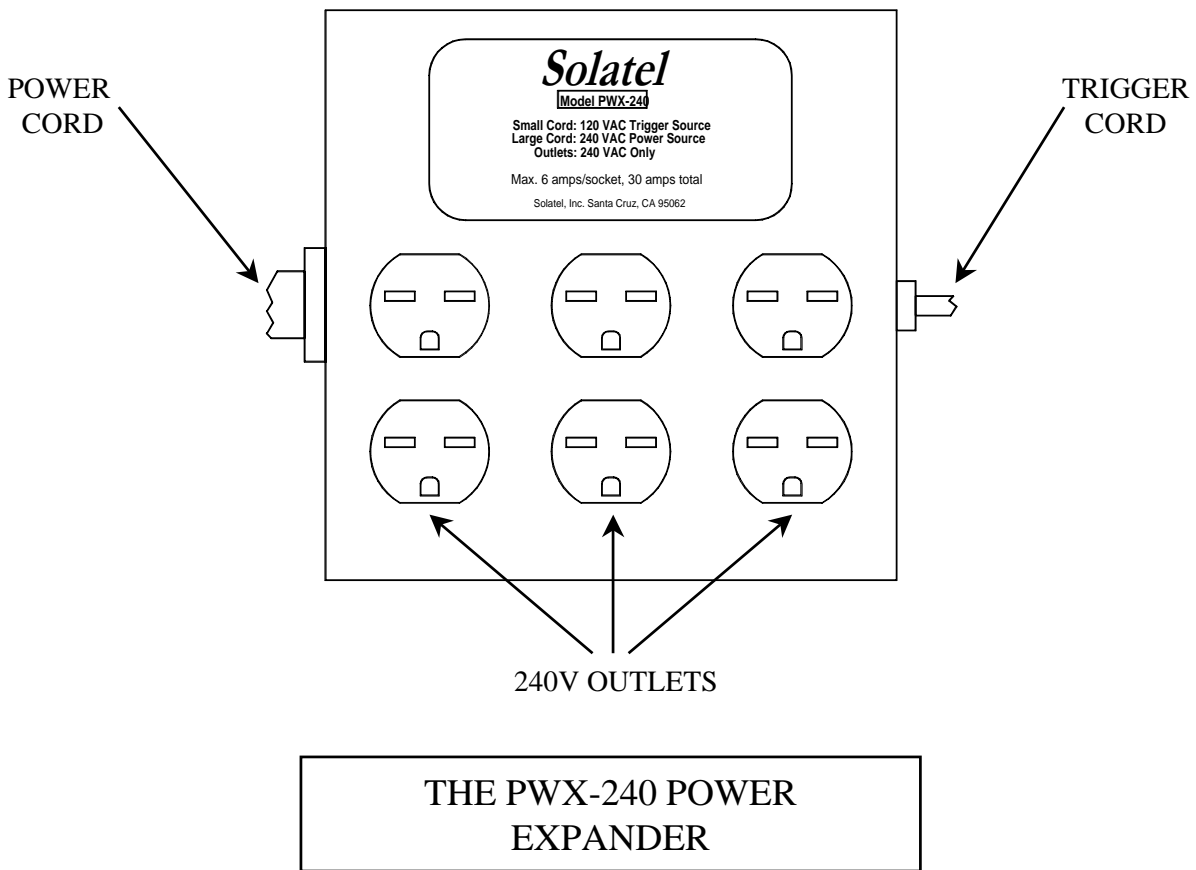


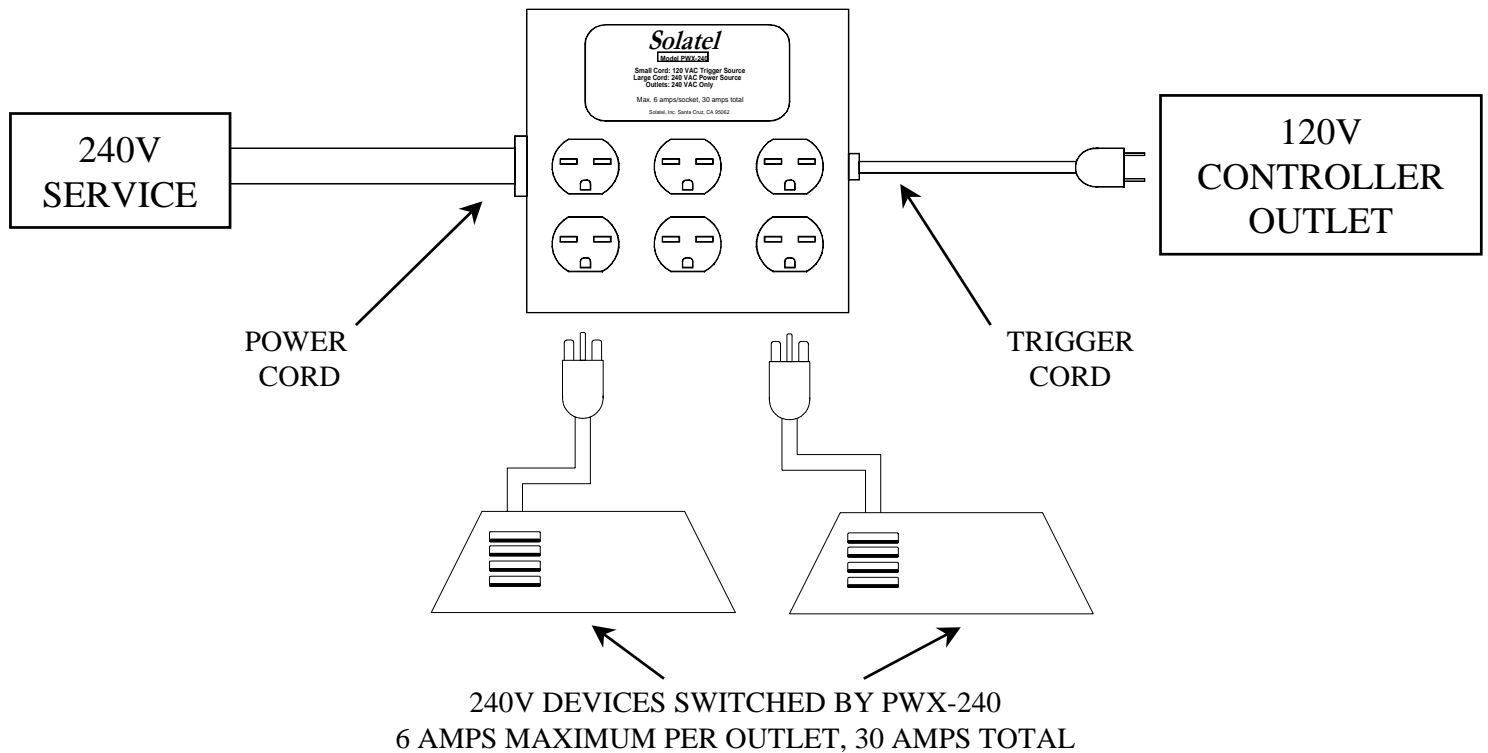
# SOLATEL PWX-240 POWER EXPANDER



The Solatel PWX-240 Power Expander lets you control 240V devices from a 120V controller or timer. A typical plug-in controller, such as Solatel's Plant Pro, is limited by the 120V 15 Amp outlet that it plugs in to. Adding a PWX-240 provides outlets for up to six 240V lamps or any other combination of devices that draw no more than 30 Amps total. If the circuit supplying power to the PWX-240 cannot provide 30 Amps or the building circuit breaker cannot handle the inrush current at turn-on, then this will reduce the number of devices that can be controlled. The PWX-240 can also be used with pumps, fans, or other devices. Multiple PWX-240's can be used to control a large number of devices.

The PWX-240 has two cords and six outlets. The outlets are the type used for 240V equipment. This eliminates the risk of plugging a 120V device into a 240V outlet - a danger on products with 120V type outlets actually supplying 240V. The Power Cord provides current to all of the PWX-240 outlets. The Power Cord is connected to a 240V service. The Trigger Cord plugs into a 120V controller or timer and provides the control signal which switches the outlets on or off. The Trigger Cord draws very little current and can therefore be plugged in to a controller along with other 120V devices being switched. The outlets are on only when there is 240V on the Power Cord and 120V on the Trigger Cord. If only one cord has voltage, then all outlets are off. The Trigger Cord can be lengthened by using any standard 120V extension cord.

# PWX-240 INSTALLATION



**Caution: Unless you know how to do 240V electrical wiring, please get help from someone who does!**

- Plug the trigger cord into the controller or timer's outlet. Trigger requirements are 120VAC at 0.03A nominal, minimum is 102V, maximum is 132V.
- Plug 240V devices to be switched into the PWX-240. Each outlet can provide 6A maximum. The total current of all outlets is 30A maximum, less if the circuit breaker rating for the 240V service is smaller. Use devices with the correct plug, NEMA 6-15P.
- If you have a suitable 240V outlet or can add one, add the appropriate plug to the Power Cord. Typical 240V outlets available in a residence are: Air conditioner: 15A or 20A, electric clothes dryer: 30A, electric stove: 50A.
- If you want to hardwire the Power Cord, use a strain relief suitable for a cord, not just one for conduit. Make sure that the service has an appropriate 2 pole breaker.
- The Power Cord colors are BLACK - first 240V line, WHITE - second 240V line, GREEN - ground. Neutral is not required. Although two phases of a 208V three phase Y or delta system can be used, fewer devices can be controlled due to their increased current. Make sure that the devices are wired for 240V or 208V as required.
- To control multiple PWX-240's, use a power strip on the controller's outlet. Because the trigger is 120V, it can not be plugged into another PWX-240.
- To control additional 120V devices directly by the controller, use a power strip on the controller's outlet for the trigger and additional devices.